

Product Description

Coolview® CLED53FX

LED Examination Lights from Brandon Medical are the perfect light source for a wide range of procedures. Providing a high intensity, bright natural looking light, Coolview CLED53 is perfect for medical consultations and examinations in primary care and medical clinics.



Product Images



Wall Mount



Backplate Wall Mount



Desk mount



Pendant Pole
Clamp Mounts



Mobile Base



Product Features

Powerful, variable Light Intensity

Coolview CLED53 emits a powerful 50,000 Lux of light at 0.5 metres, providing an intense, clear light source for excellent visualization. The easily accessible and intuitive controls offer 5 levels of brightness

Perfect Colour

The powerful light source is matched with a selectable colour temperature feature, which can be adjusted between 3,300, 3,800 and 4,400 Kelvin. This provides the Clinician with accurate representation and visualization of the site under examination.

CLED53 reproduces all of the visible colours naturally and accurately. Excellent colour rendition is achieved that supports accurate tissue differentiation (R9) and clear identification of changes in skin tones (R13).

Infection Control

The fully enclosed light head is sealed to protect from dust and light liquid ingress.

Mountings

The Coolview CLED53 Examination Light operates on a spring balanced rigid arm offering optimum reach, positioning and stability. The Light can be specified for mounting on the Wall (with or without Backplate), Desk, "Medirail" or on a Mobile Wheeled Base.

Model Number	Description
CLED53FXC	Coolview CLED53 FX Articulated Arm Ceiling Mounted Examination Lamp (LR Stem)
CLED53FXBP	Coolview CLED53 FX Articulated Arm Wall Mounted with Backplate Examination Lamp with UK Plug Lead
CLED53FXDP	Coolview CLED53 FX Articulated Arm Desk Mounted Examination Lamp with UK Plug Lead
CLED53FXMP	Coolview CLED53 FX Articulated Arm Mobile Mounted Examination Lamp with UK Plug Lead
CLED53FXRP	Coolview CLED53 FX Articulated Arm Rail Mounted Examination Lamp with UK Plug Lead
CLED53FXWP	Coolview CLED53 FX Articulated Arm Wall Mounted Examination Lamp with UK Plug Lead
CLED53FXA38P	Coolview CLED53 FX Articulated Arm Pendant Ø38mm-Pole Clamp Mounted Examination Lamp with UK Plug Lead
CLED53FXA25P	Coolview CLED53 FX Articulated Arm Pendant Ø25mm-Pole Clamp Mounted Examination Lamp with UK Plug Lead

Technical & Performance Information:

Unless otherwise stated: All linear dimensions in mm, angles in degrees (±5°) and weights in kg

General System Information	CLED53FXC	CLED53FXBP	CLED53FXDP	CLED53FXMP	CLED53FXRP	CLED53FXWP	CLED53FXA38P	CLED53FXA25P
Lamphead/Arm Type	CLED53FX							
Mount Type	Ceiling LR Stem	Backplate Wall Mount	Desk Mount	Mobile Base	Rail Mount	Wall Mount	Ø38mm Pendant Pole Clamp	Ø25mm Pendant Pole Clamp
System Weight (kg)	4.9	1.8	1.7	8.8	1.5	1.4	1.7	1.7
Additional Information	Direct Supply to Stem & In-line C7 Connector	Power Lead supplied loose with UK plug						
Medical Device Classification	I	I						
Electrical Classification	I	II						
Type of Luminaire	Examination (Luminaire for diagnosis)							
Conformity	CE (EU MDR 2017/745); EN/IEC 60601-1; EN/IEC 60601-2-41; EN/IEC 60601-1-2							

Mount	Ceiling LR Stem	Backplate Wall Mount	Desk Mount	Mobile Base	Rail	Wall Mount	Ø38mm Pendant Pole Clamp	Ø25mm Pendant Pole Clamp
Mount Size HxWxD (mm)	800 L x Ø250	130 x 130 x 70	150 to 210 x 70 x 40	1000xØ700	96 (max) x 62 x 48	91 x 59 x 67	124 x58 x33	114 x58 x33
Weight of Mount (kg)	3.6	0.5	0.35	7.5	0.2	0.1	0.34	0.32
Fixing Type	Permanent	Permanent	Moveable	Mobile	Moveable	Permanent	Semi-Permanent	
Available Rotation Lateral about Spindle (±5°)	310°	180°	360°	360°	360° max	180°	330°	330°
Interface orientation	15° up form horizontal	Vertical Up	Vertical Up	Vertical Up	Vertical Up	Vertical Up	Vertical Up	Vertical Up
Colour	White	White/Grey	Black	Grey/White	Silver	Grey	Silver	Silver
Material	steel	Steel/Plastic	Polyamide / Steel	Steel/Plastic	Aluminium	Plastic	Aluminium	Aluminium

Lamphead/Arm Data	CLED53FX
Light On/Off Switch Location	Keypad on Luminaire Head
Arm Type	Articulated (Spring)
Fastener Type	Ø16 mm Pin
Base Joint Type and Angle (°)	Articulating 69°
Base Rotation about Fastener (°)	360 (max)
Elbow Angle (°)	150
Arm Reach	850
Lamphead Diameter (mm) Approx	90
Lamphead Pitch (°)	180°
Lamphead Roll (°)	300°
Lamphead & Arm Weight (kg) Approx	1.3
Power Supply Lead(s) [Plug]	1.8 m [UK]

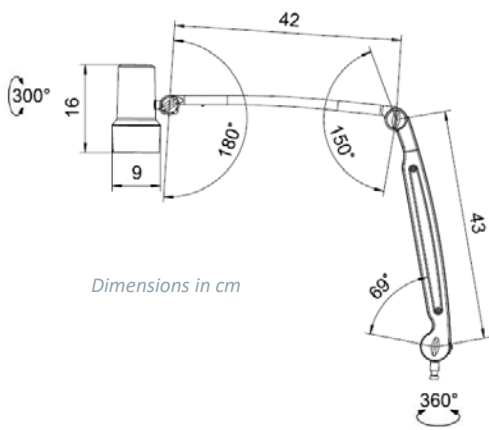
Lamphead/Arm Electrical Data	CLED53FX
Primary Power Supply	100-240VAC 50/60 Hz
Secondary Power Supply Unit	Integral 24V DC
Power Consumption @ Nominal Intensity	12-18 W (15-22 VA)
Ingress Protection Rating	IP20

Lamphead Photometric Data* -10% / +20%	CLED53
Central Illuminance @ 0.5 metre (Lux max *)	50,000
Field Diameter D10 @ 0.5 meter (mm)	180
Field Diameter D50 @ 0.5 meter (mm)	90
Nominal Working Distance from Lamphead m	0.5
Colour rendition Ra (Av R1-R8)	≥93
Colour rendition R9 (red)	≥90
Colour rendition R13	98
Adjustable Colour (Red Balance) (K)	3,300/3,800/4,400
Number & Type of Lights per Lamphead	7 LED
LED Life (hours)	50,000
Additional	5 Dimming Level



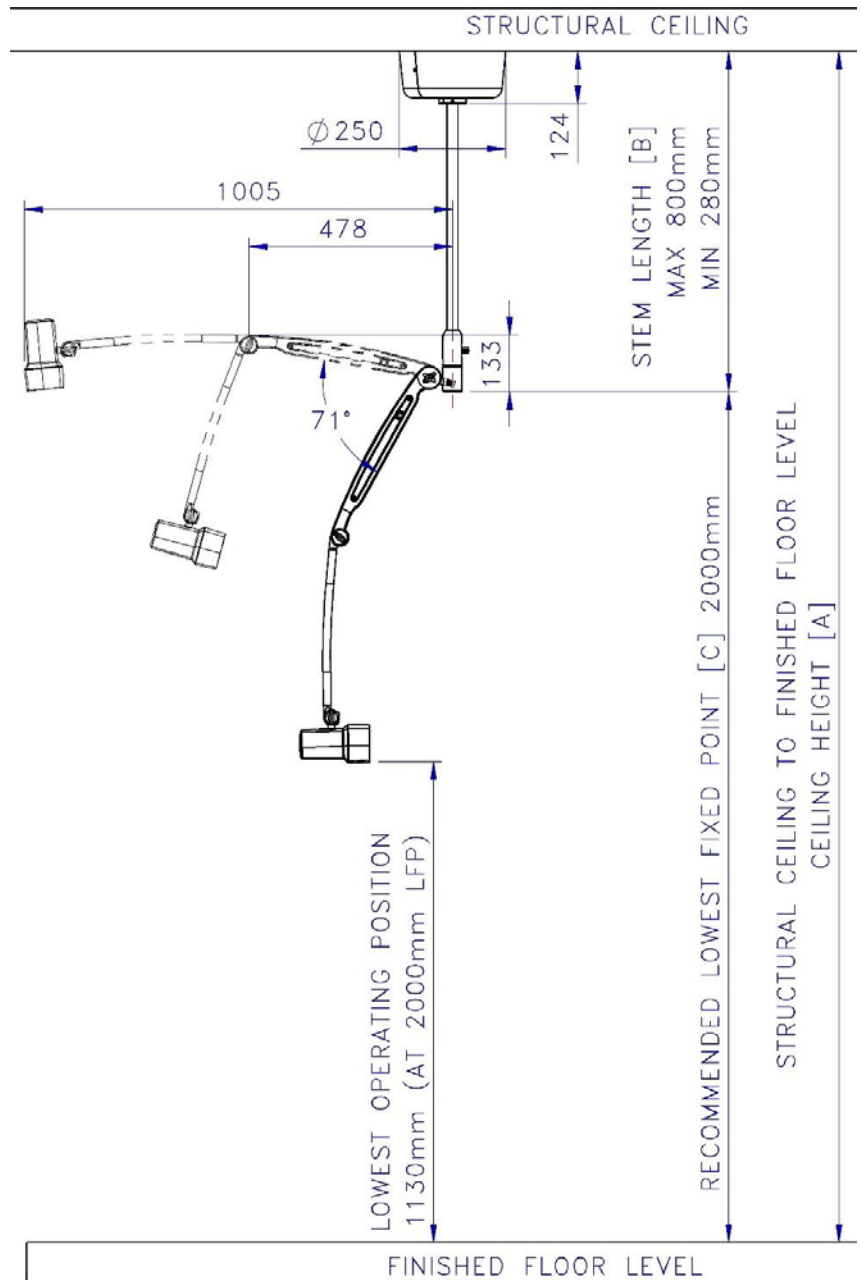
- A: Luminaire with spring-arm
- B: Power cable
- C: Mount

Components



Dimensions in cm

**Lamphead/Arm
Dimensional Data (cm)**



CLED53FXC Typical Layout